

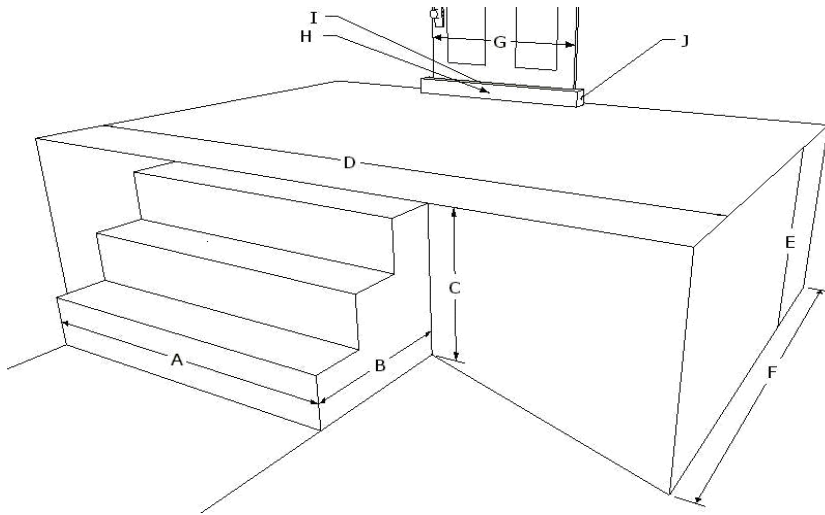
Environmental Survey

Ramp Requirements Worksheet



Customer Name		Today's Date	
Site Address	City	State	Zip

Entry Diagram



Measurements

Width of Steps (or between handrails, if applicable) A = _____

Depth of Steps B = _____

Rise of Steps C = _____

Width of Porch (if differs from steps) D = _____

Rise of Porch (if differs from steps) E = _____

Depth of Porch F = _____

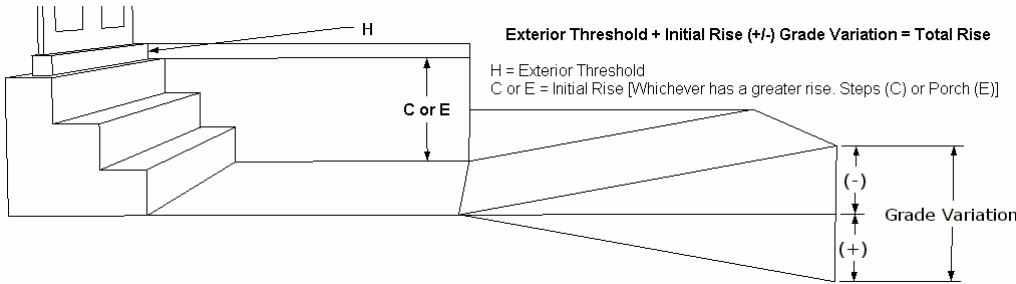
Width of Door (usable space) G = _____

Rise of Exterior Threshold H = _____
Threshold ramp needed

Rise of Interior Threshold I = _____
Threshold ramp needed

Depth of Threshold J = _____

Total Rise Diagram



Calculating Total Rise

NOTE: All measurements that do not apply to the entry are to be given a value of zero.

Rise of Exterior Threshold H = _____ As you face outside, the door opens In Out

Initial Rise of Steps/Porch + C or E = _____ Left Right

Grade Variation (if any)* + or - = _____ Is a Bridge Plate required? Yes No

Total Rise = _____

* Any ground variations should be added (decline) or subtracted (incline) from the total rise.

Ramp Surface Solid Expanded Metal

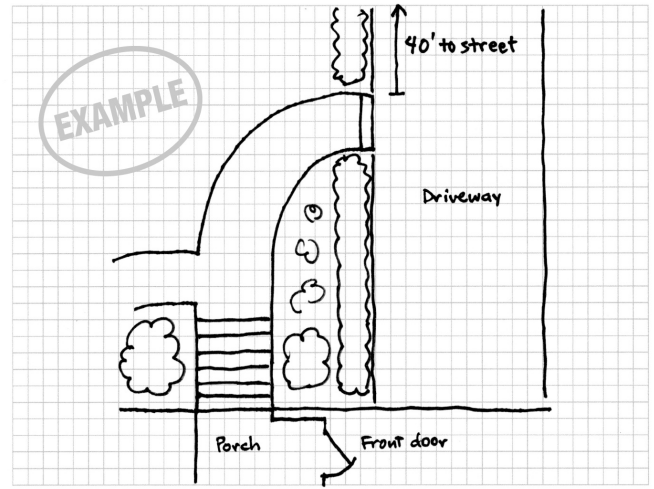
Platform Surface Solid Expanded Metal

Handrail Style Single Rail Two-line Vertical Pickets Horizontal Pickets



Directions: Please sketch an aerial (bird's-eye) view of the ramp location. Be sure to consider:

- Obstacles such as driveway, walkways, trees, shrubs, etc.
- Which way the door opens (left, right, in, out).
- Square footage of the top landing, nearest the door.



Scale: 1 square = 1 foot